



## 6C-GPON-OLT-C+ GPON SFP OLT Transceiver

### Features

- ◆ Single fiber Bi-Directional transceiver with single mode SC recept
- ◆ 1310nm burst-mode 2.5Gbps transmitter with FP laser
- ◆ 1490nm continuous-mode 1.25Gbps receiver with PIN-TIA
- ◆ Complies with IEEE Std 802.3ah™ -2004 1000BASE-PX20
- ◆ Digital diagnostic interface compliant with SFF-8472 Rev 9.4 ,  
Digital Diagnostic Monitoring (DDM) with external calibration
- ◆ 3.3V Single power supply
  - LVPECL interface logic level for data input
  - CML interface logic level for data output
  - Differential line input/output impedance 100 ohm
  - LVTTL for burst signal input and signal detect output
- ◆ Complies with RoHS directive (2002/95/EC)
- ◆ Operating case temperature:  
Standard : 0 to +70°C



### Applications

Gigabit Ethernet Passive Optical Network (GPON)

### Description

The 6C-GPON-OLT-C+ Bi-Directional Transceiver is the high performance module for single fiber communications by using 1310nm 1.25Gbps burst mode transmitter and 1490nm 1.25Gbps continuous receiver. It is Optical Network Unit (ONU) for IEEE Std 802.3ah™ -2004 1000BASE-PX20. The optical transceiver is compliant with the Small Form- Factor Pluggable (SFP) Multi-Source Agreement (MSA).

The transmitter section uses a 1310nm FP laser diode with automatic power control (APC) function and temperature compensation circuitry to ensure stable extinction ratio over all operating temperature



range, and full IEC825 and CDRH class 1 eye safety. The receiver has a hermetically packaged PIN-TIA (trans-impedance amplifier) pre-amplifier and a limiting amplifier with CML compatible differential outputs.

### Absolute Maximum Ratings

**Table 1 - Absolute Maximum Ratings**

Parameter	Symbol	Min.	Max.	Units	Notes
Storage Temperature	Tst	-40	+85	°C	-
Operating Case Temperature	Tc	0	70	°C	-
Operating Humidity	RH	5	90	%	Non-condensing
Input Voltage	-	GND	Vcc	V	-
Power Supply Voltage	Vcc-Vee	0	3.6	V	-

### Recommended Operating Conditions

**Table 2 - Recommended Operating Conditions**

Parameter		Symbol	Min	Typical	Max	Unit
Operating Case Temperature	Standard	Tc	0	-	+70	°C
Power Supply Voltage		Vcc	3.13	3.3	3.47	V
Power Supply Current		Icc	-	-	400	mA

### Optical and Electrical Characteristics

**Table 3 - Optical and Electrical Characteristics**

Parameter	Symbol	Min	Typical	Max	Unit	Notes
<b>Transmitter</b>						
Tx Data Rate	R <sub>T</sub>	-	1.25	-	Gb/S	-
Centre Wavelength	λ <sub>c</sub>	1260	1310	1360	nm	-
Spectral Width	Δλ	-	-	3	nm	-
Side Mode Suppression Ratio	SMSR	30	-	-	dB	-
Average Output Power	P <sub>out</sub>	0	-	4	dBm	1
Extinction Ratio	ER	9	-	-	dB	-



Optical Network Transceiver Manufacturer

Burst Enable Delay	Ton	-	-	32	ns	Fig.1
Burst Disable Delay	Toff	-	-	32	ns	Fig.1
Average Launch Power-OFF Transmitter	Poff			-41	dBm	
Optical Eye Diagram	Compliant with of IEEE 802.3ah (Fig. 60-6) transmitter eye mask definition					
Optical Rise/Fall Time (20%~80%)	tr/tf			260	ps	
Data Input Swing Differential	V <sub>IN</sub>	200		1600	mV	2
Input Differential Impedance	Z <sub>IN</sub>	90	100	110	Ω	
Burst	Disable		2.0	Vcc	V	
	Enable		0	0.8	V	
TX Fault	Fault		2.0	Vcc	V	
	Normal		0	0.8	V	
<b>Receiver</b>						
Rx Data Rate	R <sub>R</sub>	-	1.25	-	Gb/s	3
Centre Wavelength	λ <sub>c</sub>	1480		1500	nm	
Receiver Sensitivity(BOL)	Sen			-26	dBm	3
Receiver Overload	Sat	-3			dBm	3
Receiver Reflectance				-12	dB	
Signal Detect De-Assert	SDD	-44			dBm	
Signal Detect Assert	SDA			-27	dBm	
Signal Detect Hysteresis	SDH	0.5		6	dB	
Output Differential Impedance	Z <sub>IN</sub>	90	100	110	Ω	
Data Output Swing Differential	V <sub>out</sub>	400		1000	mV	
SD Output Voltage	High		2.0	Vcc	V	
	Low		0	0.8	V	

**Notes:**

1. The optical power is launched into SMF.
2. PECL input, internally DC-coupled and terminated.
3. Measured with a PRBS 2<sup>7</sup>-1 test pattern @1250Mbps, BER ≤1×10<sup>-10</sup>.

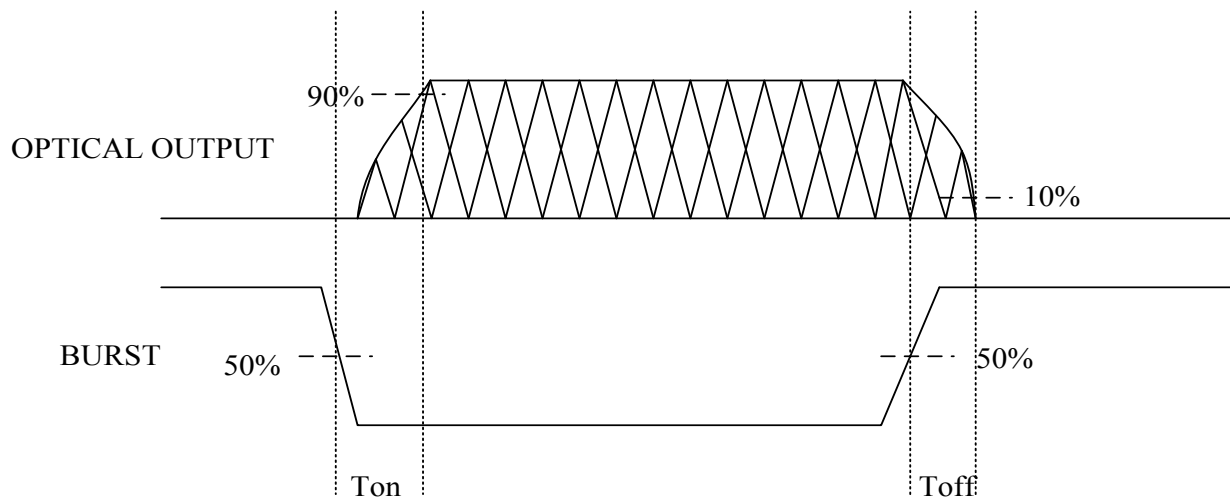
## Diagnostics

**Table 4 – Diagnostics Specification**

Parameter	Range	Unit	Accuracy	Calibration
Temperature	0 to 70	°C	±3°C	Internal / External
Voltage	3.0 to 3.6	V	±3%	Internal / External
Bias Current	0 to 100	mA	±10%	Internal / External
TX Power	0 to 4	dBm	±3dB	Internal / External
RX Power	-26 to -3	dBm	±3dB	Internal / External

## Transmitter Burst Mode Timing Characteristics

Definition of Burst Enable Delay ( $T_{on}$ ) and Burst Disable Delay ( $T_{off}$ )



**Fig.1**

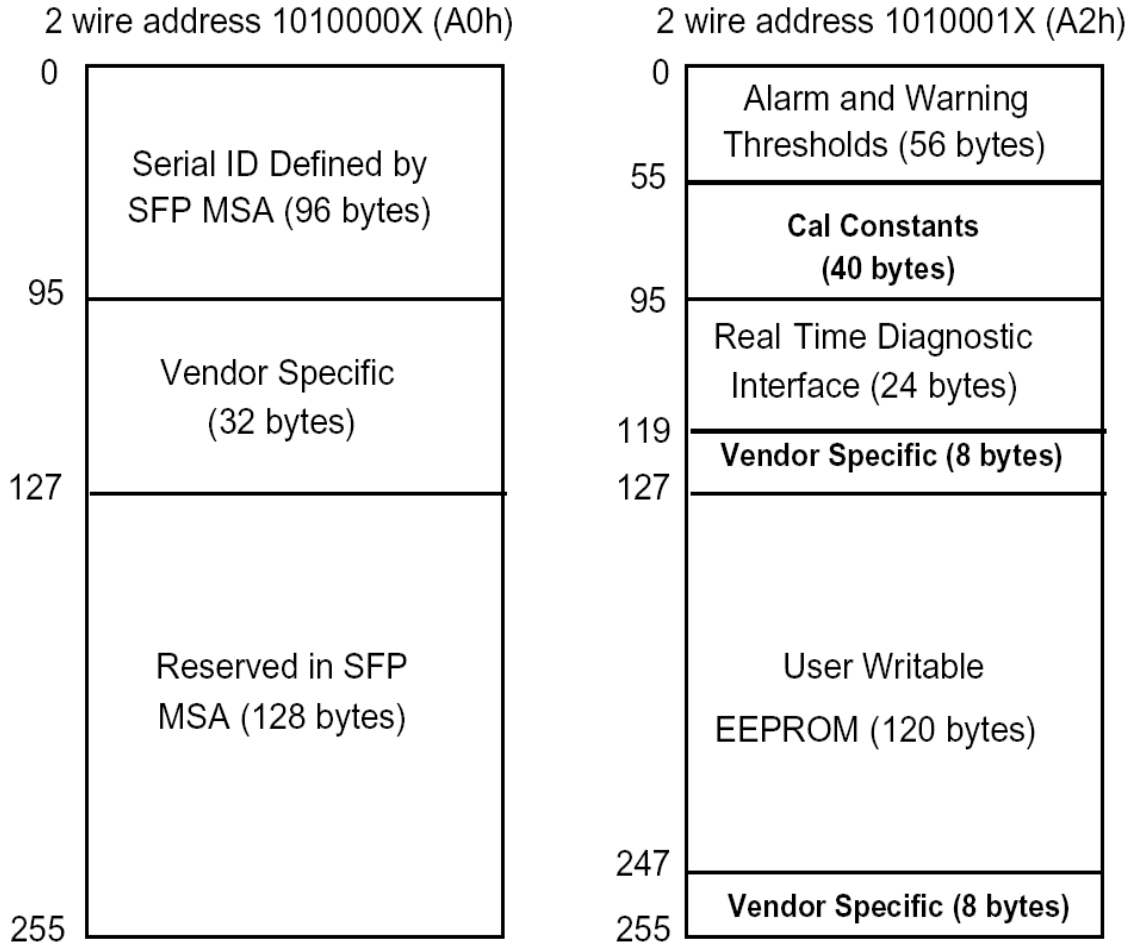
## Digital Diagnostic Memory Map

The transceivers provide serial ID memory contents and diagnostic information about the present operating conditions by the 2-wire serial interface (SCL, SDA).



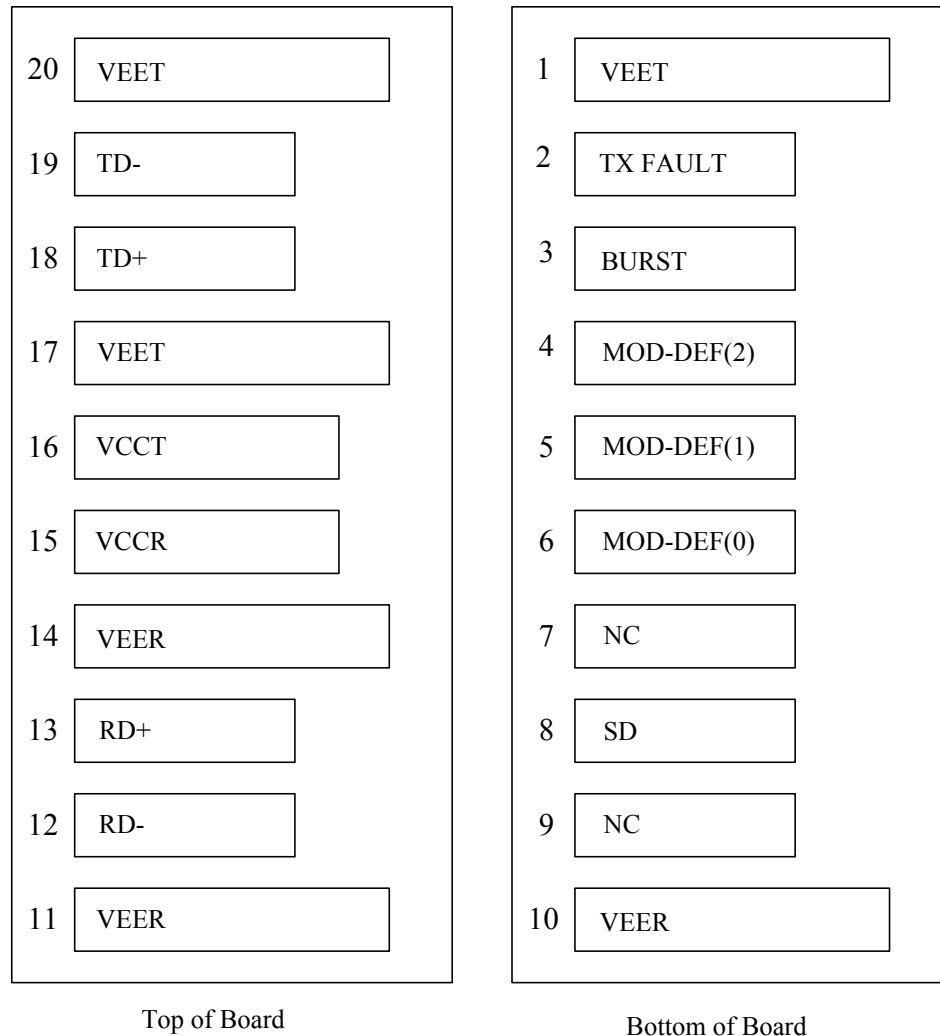
The diagnostic information with internal calibration or external calibration all are implemented, including received power monitoring, transmitted power monitoring, bias current monitoring, supply voltage monitoring and temperature monitoring.

The digital diagnostic memory map specific data field defines as following.



## Pin Definitions

### Pin Diagram



## Pin Descriptions

Pin	Signal Name	Description	Plug Seq.	Notes
1	V <sub>EET</sub>	Transmitter Ground	1	
2	TX FAULT	Transmitter Fault Indication	3	Note 1



3	BURST	Burst Single	3	Note 2
4	MOD_DEF(2)	SDA Serial Data Signal	3	Note 3
5	MOD_DEF(1)	SCL Serial Clock Signal	3	Note 3
6	MOD_DEF(0)	TTL Low	3	Note 3
7	-	-	3	
8	SD	Signal Detect Output	3	Note 4
9	-	-	3	
10	V <sub>EER</sub>	Receiver ground	1	
11	V <sub>EER</sub>	Receiver ground	1	
12	RD-	Inv. Received Data CML Output, internal AC Coupling	3	Note 5
13	RD+	Received Data CML Output, internal AC Coupling	3	Note 5
14	V <sub>EER</sub>	Receiver ground	1	
15	V <sub>CCR</sub>	Receiver Power Supply	2	
16	V <sub>CCT</sub>	Transmitter Power Supply	2	
17	V <sub>EET</sub>	Transmitter Ground	1	
18	TD+	Transmit Data LVPECL Input, Internal DC Coupling	3	Note 6
19	TD-	Inv. Transmit Data LVPECL Input, Internal DC Coupling	3	Note 6
20	V <sub>EET</sub>	Transmitter Ground	1	

**Notes:**

Plug Seq.: Pin engagement sequence during hot plugging.

- 1) TX Fault is an open collector output, which should be pulled up with a 4.7k~10kΩ resistor on the host board to a voltage between 2.0V and V<sub>cc</sub>+0.3V. Logic 0 indicates normal operation; Logic 1 indicates a laser fault of some kind. In the low state, the output will be pulled to less than 0.8V.
- 2) BURST is a TTL input. When it is low, LD is on; when it is high, LD is off.
- 3) Mod-Def 0,1,2. These are the module definition pins. They should be pulled up with a 4.7k~10kΩ resistor on the host board. The pull-up voltage shall be V<sub>ccT</sub> or V<sub>ccR</sub>.  
Mod-Def 0 is grounded by the module to indicate that the module is present  
Mod-Def 1 is the clock line of two wire serial interface for serial ID  
Mod-Def 2 is the data line of two wire serial interface for serial ID
- 4) SD is an open collector output, which should be pulled up with a 4.7k~10kΩ resistor. Pull up voltage between 2.0V and

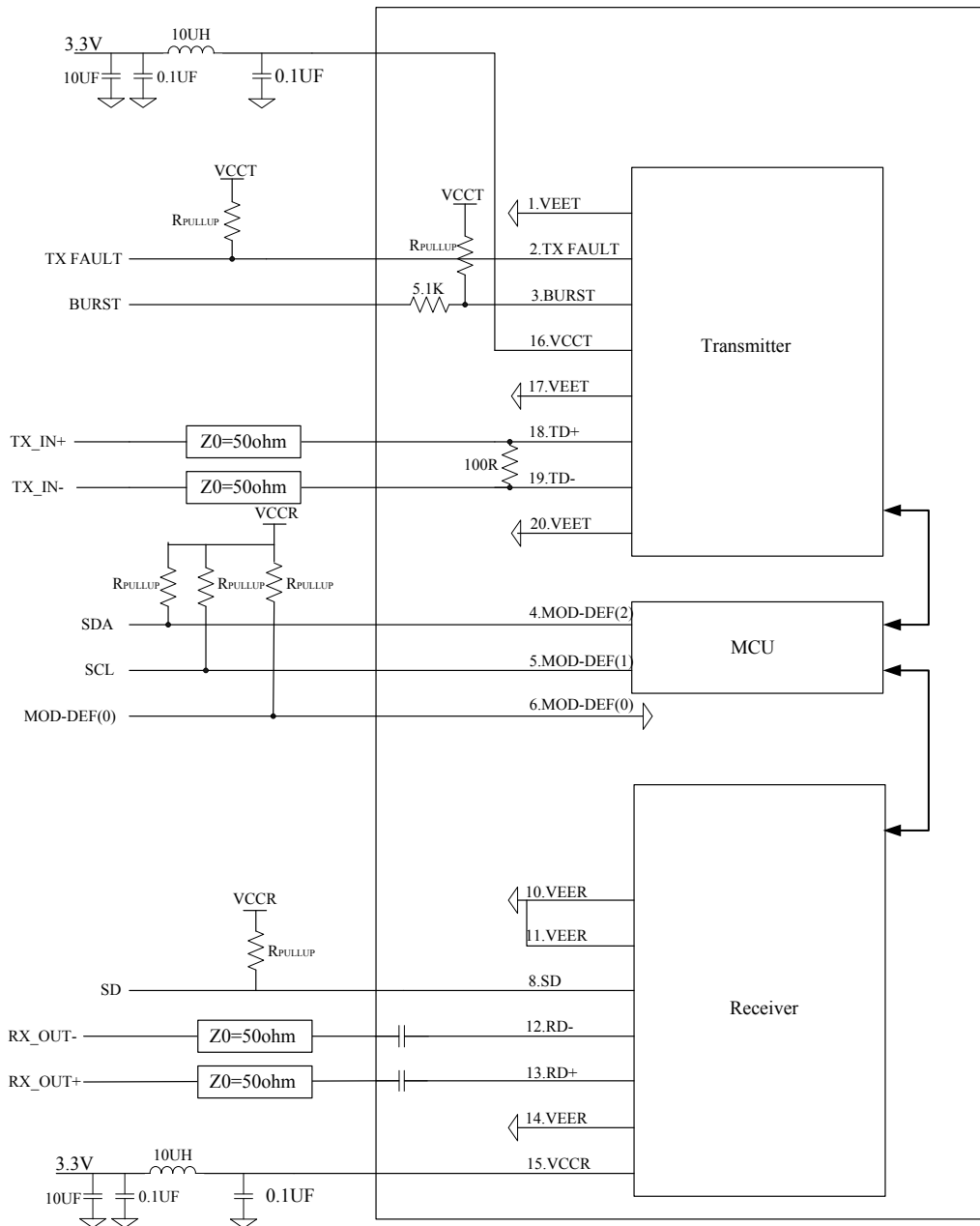


Vcc+0.3V. Logic 0 indicates loss of signal; Logic 1 indicates normal operation. In the low state, the output will be pulled to less than 0.8V.

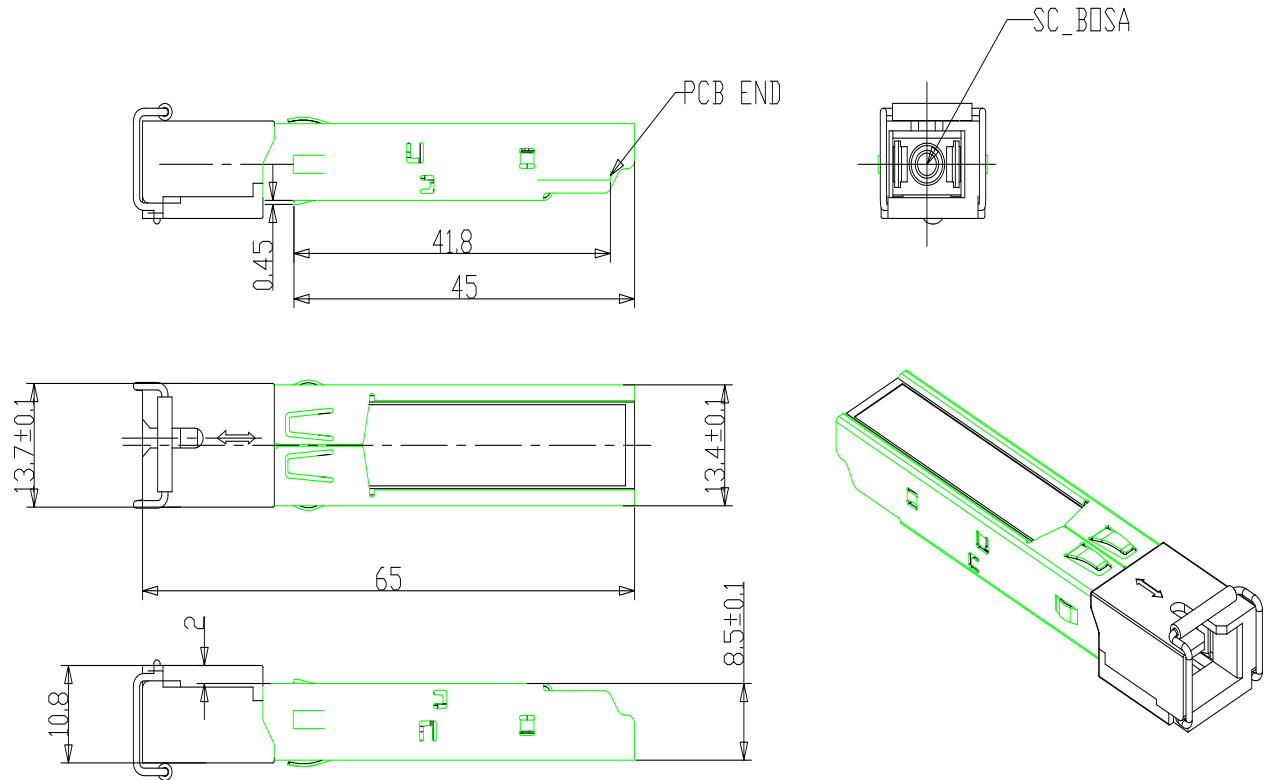
- 5) RD-/+ : These are the differential receiver outputs. They are internally AC-coupled 100 differential lines which should be terminated with 100Ω (differential) at the user SERDES.
- 6) TD-/+ : These are the differential transmitter inputs. They are internally DC-coupled, differential lines with 100Ω differential termination inside the module.

## Recommend Application Circuit





## Mechanical Dimensions



### Ordering information

Part Number	Product Description
6C-GPON-0LT-C+	Tx1310nm, Rx1490nm, 2.5Gbps/1.25Gbps, 1000BASE-PX20, 0°C ~ +70°C with Digital Diagnostic Monitoring

E-mail: [sales@6comgiga.com](mailto:sales@6comgiga.com)

Web : [www.6comgiga.com](http://www.6comgiga.com)